

PULSAR MAX Technical Datasheet

General Specifications

Model	Pulsar Max
Colour	xxx - Colours
Cable Length	5m (7m optional) ^[1]
Charging Mode (IEC 61851-1)	Mode 3
Dimensions	198x201x99mm (without cable)
Weight	1.3kg (without cable)
Operating Temperature	-25°C to 50°C
Storage Temperature	-40°C to 70°C
Standards	IEC 61851-1, IEC 61851-21-2, IEC 62196-2, LVD 2014/35/EU, CE mark, EMC Directive 2014/30/EU, ROHS Directive 2011/65, BS 7671:2018 + A1:2020 + A2:2022

Compliant with UK regulations on smart charging.^[2]

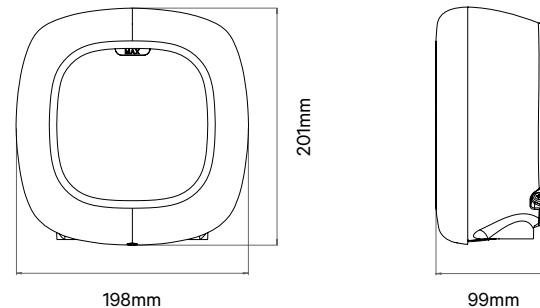
User Interface & Communications

Connectivity	Wi-Fi, Bluetooth
User Identification	myWallbox App & Portal
User Interface	myWallbox App & Portal ^[3]
Charger Status Information	Halo RGB LED, myWallbox App & Portal
Included Features	Power Sharing
Optional Features	Power Boost Dynamic Power Sharing Eco-Smart

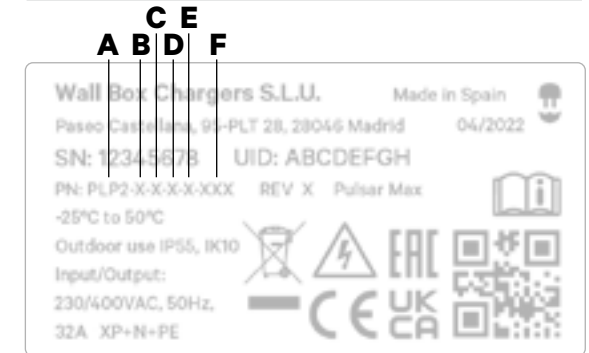
Electrical Specifications

Charging Power	7,4kW	11kW	22kW
Rated Voltage AC ± 10%	220-240V	380-400V	380-400V
Rated Current	32A (1P)	16A (3P)	32A (3P)
Connector Type (IEC 62196-2)	Type 1 / Type 2/ GBT	Type 2	Type 2
Cable Width	up to 13mm ²	up to 13mm ²	up to 13mm ²
Configurable Current	from 6A to rated current		
Rated Frequency	50Hz / 60Hz		
Protection Rating	IP55 / IK10		
Surge Category	CAT III		
Residual Current Detection	DC 6mA		
RCCB	External RCCB Type A required		
Additional Protections	Optional external shunt (welding shut down)		

Dimensions



Part Number Structure



	Code	Definition
A Model	PLP2	Pulsar Max
B Cable	0	5m
	M	7m
C Connector	1	Type 1
	2	Type 2
D Power	2	7,4kW
	3	11kW
	4	22kW
E Additional Feature	9	Residual Current Detection (DC 6mA)
	F	Residual Current Detection (DC 6mA) + Earthing protection
F Custom	XXX	Colours

[1] Only available for Type 2 connectors.

[2] UK only.

[3] OCPP compatible.

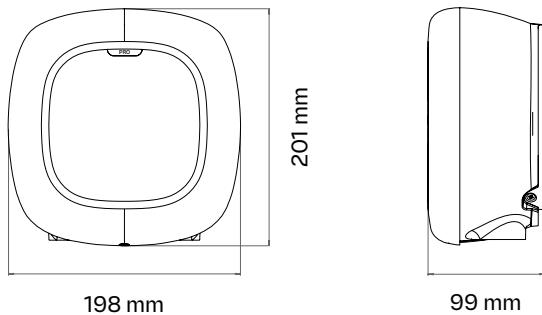
Technical Datasheet

General Specifications

Model	Pulsar Pro
Colour	Black/Grey
Cable Length	5 m/7 m
Charging Mode (IEC 61851-1)	Mode 3
Dimensions	198x201x99 mm
Weight	1.3kg (without cable)
Operating Temperature	-30°C to 50°C
Storage Temperature	-40°C to 70°C
Standards	CE, UKCA, EAC and RCM Mark. IEC 61851-1, IEC 61851-21-2, IEC 62196, BS 7671, IEC 60364. RED Directive 2014/53/ EU and RoHS Directive 2011/65/EU
Cybersecurity	Tamper detection, secure update, secure boot, secure storage & encrypted communications

Compliant with UK regulations on smart charging ^[1]

Dimensions



^[1] UK Only

^[2] According to local regulation

^[3] Require an additional meter

^[4] 22kW charger limited to 11kW during installation

Electrical Specifications

Charging Power	7,4 kW	11 kW^[4]	22 kW
Rated Voltage AC ± 10%	230 V	400 V	400 V
Rated Current	32 A (1P)	16 A (3P)	32 A (3P)
Connector Type (IEC 62196)	Type 2		
Cable Width	Up to 13 mm ²		
Configurable Current	From 6 A to rated current		
Rated Frequency	50 Hz / 60 Hz		
Protection Rating	IP55 / IK10		
Surge Category	CAT III		
Residual Current Detection	DC 6 mA		
RCD	RCD Type A is required ^[2]		
Internal metering	Class A equivalent (Error ≤ 2%). Factory calibrated.		
Additional Protections	Optional external shunt (welding shut down)		

Communications & User Interface

Connectivity	4G, Wi-Fi, Bluetooth
User Identification	myWallbox App & Portal, RFID
User Interface	myWallbox App & Portal
External communication interface	OCPP, partner API and SDK
Charger Status Information	Halo RGB LED, myWallbox App & Portal
Included Features	Schedules, Statistics, lock/unlock/autolock, charger remote control, User Management, Pay per month, Pay per charge, Power Sharing
Optional Features	Power Boost, Dynamic Power Sharing, Eco-Smart, External MID
HW ready features	NFC

Part Number Structure

C E
A B D F

Wall Box Chargers S.L.U. Made in Spain
 Paseo Castellana, 95-PLT 28, 28046 Madrid, Spain 2023-06

SN: 123456 **UID: ABCDEFGH**

PN: PPR1-X-X-X-XXX REV X Pulsar Pro
 Input/Output: 230/400VAC, 50/60Hz, 32A, XP+N+PE
 Outdoor use IP55, IK10
 IEC 61439-7
 -30°C to 50°C

	Code	Definition
A Model	PPR1	Pulsar Pro
B Cable	0	5m
	M	7m
C Connector	2	Type 2
D Power	2	7,4kW
	4	22kW
E Product Version	K	Residual Current Detection (DC 6mA) + 4G + RFID
	T	Residual Current Detection (DC 6mA) + Earthing protection + 4G + RFID
F Custom	XXX	Colours

PULSAR PLUS Technical Datasheet

General Specifications

Model	Pulsar Plus
Colour	White or Black
Cable Length	5 m (7 m optional) ^[1]
Charging Mode (IEC 61851-1)	Mode 3
Dimensions	166x163x82 mm (without cable)
Weight	1 kg (without cable)
Operating Temperature	-25 °C to 40 °C (50 °C with derating)
Storage Temperature	-40 °C to 70 °C
Standards	CE mark (LVD 2014/35/EU, EMC 2014/30/EU) IEC 61851-1, IEC 61851-21-2, IEC 62196-2, BS 7671:2018 ^[2]

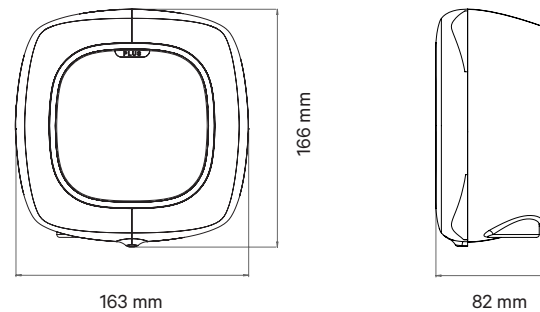
User Interface, Connectivity, Energy Management

Connectivity	Wi-Fi, Bluetooth
User Identification	myWallbox App & Portal
User Interface	myWallbox App & Portal ^[6]
Charger Status Information	Halo RGB LED, myWallbox App & Portal
Compatible with	Power Boost, Eco-Smart, Power Sharing, Dynamic Power Sharing

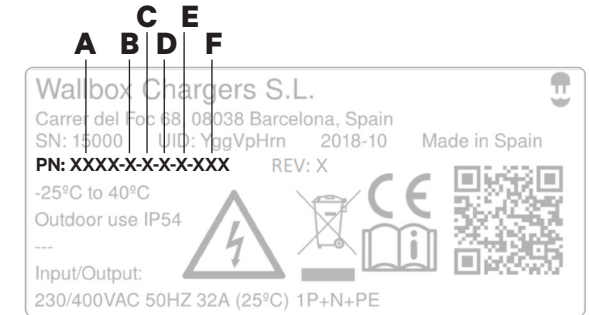
Electrical Specifications

Charging Power	7,4 kW	11 kW	22 kW
Rated Voltage AC ± 10%	230 V	400 V	400 V
Rated Current	32 A (1P)	16 A (3P)	32 A (3P)
Connector Type (IEC 62196-2)	Type 1 / Type 2	Type 2	Type 2
Cable Width	up to 3x 10 mm ²	up to 5x 10 mm ²	up to 5x 10 mm ²
Earthing Protection ^[3]	According to BS 7671:2018 requirements		
Configurable Current	from 6 A to rated current		
Rated Frequency	50 Hz / 60 Hz		
Protection Rating	IP54 / IK08		
Surge Category	CAT III		
Residual Current Detection	AC 30 mA / DC 6 mA ^[4]		
RCCB	External RCCB required ^[5]		

Dimensions



Part Number Structure



	Code	Definition
A Model	PLP1	Pulsar Plus
B Cable	0	5 m
	M	7 m
C Connector	1	Type 1
	2	Type 2
D Power	2	7,4 kW
	3	11 kW
	4	22 kW
E Additional Feature	9	Residual current detection (AC 30mA/DC 6mA)
	F	Residual current detection AC 30 mA/DC 6 mA + Earthing protection
F Custom	XX1	White
	XX2	Black

^[1] Only available for Type 2 connectors.

^[2] Only for 7,4 kW chargers

^[3] Only for chargers sold in the UK region.

^[4] Internal RDC-DD meets tripping time characteristics according to IEC 62955.

^[5] Type A or Type B according to local regulations.

^[6] OCPP compatible.